

MZET 25 PSK-K0.6-TSSL

Cylinder Sensor

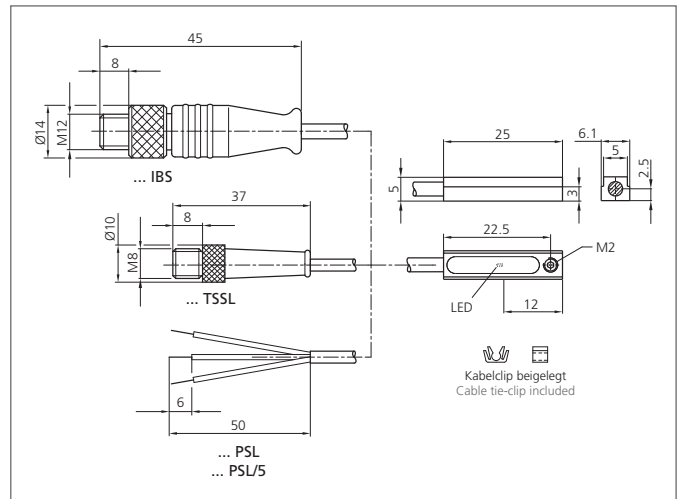
- For pneumatic cylinders with T-shaped slot
- Metal casing
- All-electronically
- High reproducibility
- High protection class
- Mounting accessory available for round, pull-rod and profiled cylinders



Safety instructions

The Instruments are not to be used for safety applications, in particular applications in which safety of persons depends on proper operation of the instruments.

These instruments shall exclusively be used by qualified personnel.



TECHNICAL INFORMATION (typ.)	+20°C, 24V DC
Cylinder groove	T-groove, mounting in longitudinal direction of slot
Mounting	Locking screw, allen screw SW 1.5 mm
Maximum rating	200 mA, short-circuit-proof, polarity-safe
Service voltage	10 ... 30 V DC
Internal power consumption	10 mA
Switching output	pnp, 200 mA, NO, short circuit protected
Contact rating	6 W max. (30 V, 200 mA)
Display	LED: yellow - output signal
Voltage drop	2,0 V
Switching frequency	1.000 Hz
Reproducibility	0,1 mm
Ambient temperature	-25 ... +70 °C
Insulation voltage endurance	500 V
Protection class	IP 68, (Device and cable), IP 67, (Connector)
Protection degree	III, operation on protective low voltage
Casing material	Die-cast zinc
Connection	cable PUR, Connector, M8, 600 mm
Connecting cable	TK ...